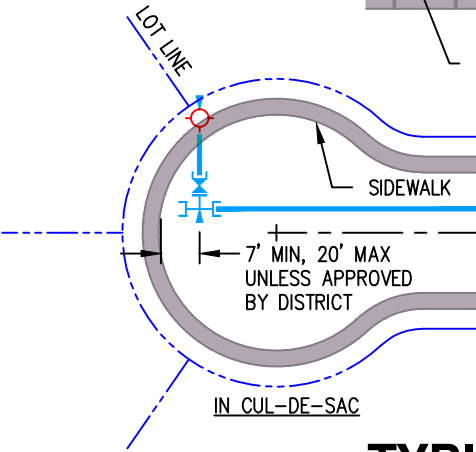
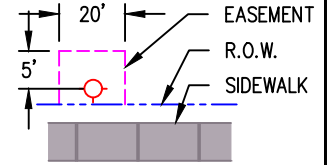
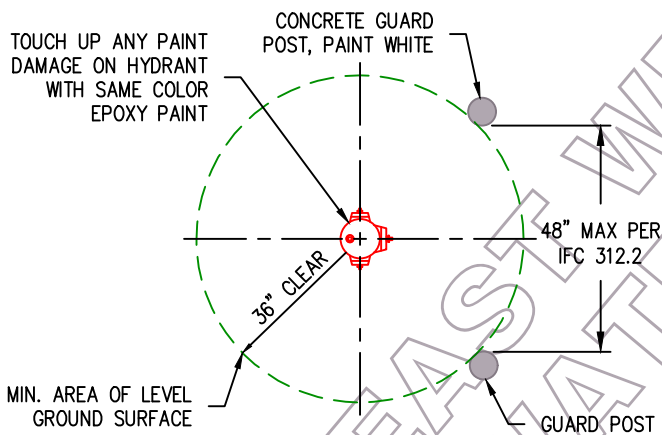


IF HYDRANT CANNOT BE LOCATED WITHIN ROW WITH 3' CLEAR, AN EASEMENT MUST BE PROVIDED.

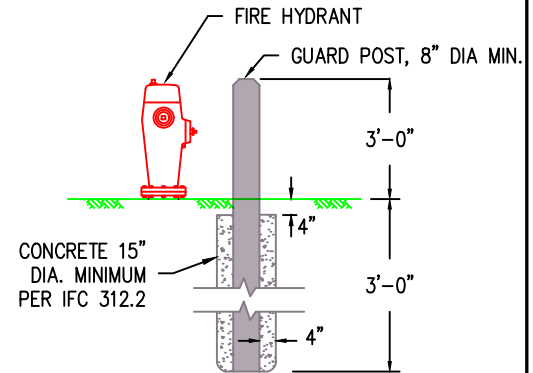


HYDRANTS SHALL BE INSTALLED AT THE END OF ALL 8" DIAMETER AND LARGER DEAD END MAINS.

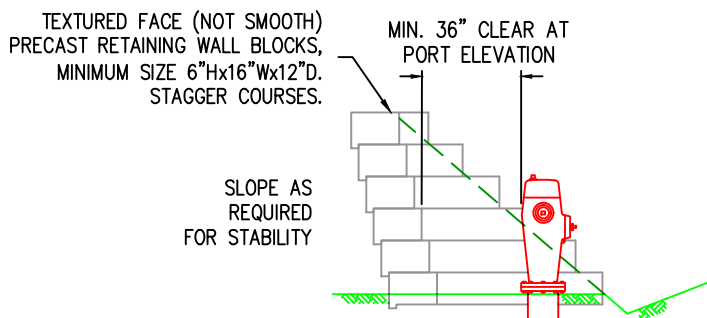
## TYPICAL HYDRANT LOCATIONS



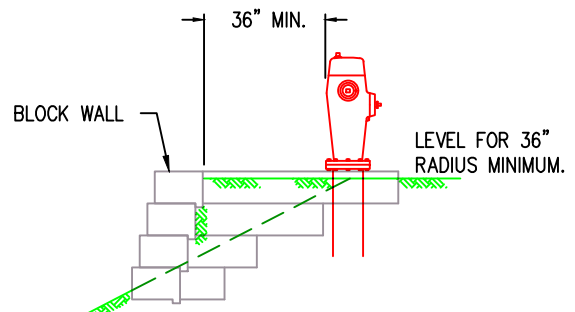
## GUARD POST PLAN



## GUARD POST ELEVATION



## HILL CUT



## SLOPE FILL

**East Wenatchee  
Water District**



WATER SYSTEM STANDARD DETAIL

## HYDRANT LOCATIONS