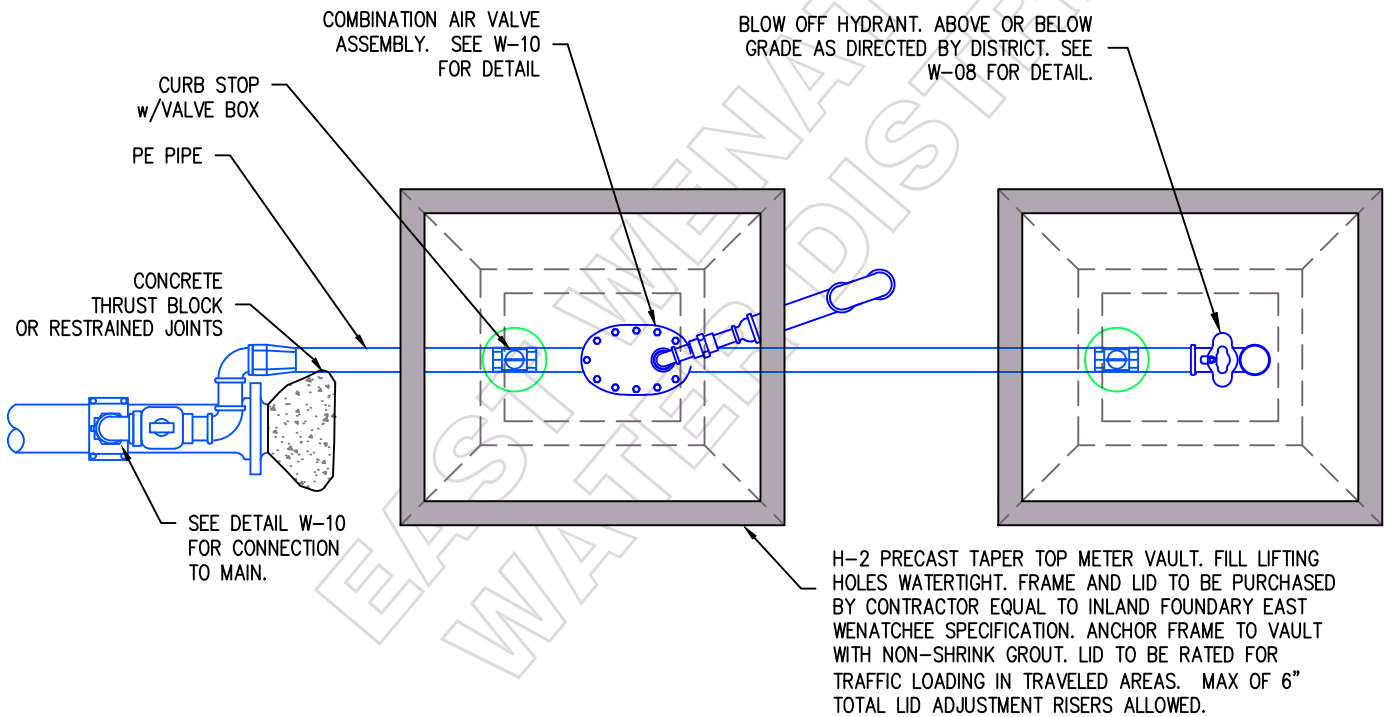


ELEVATION



PLAN VIEW

1. INSTALL STANDARD MARKER POST IDENTIFYING VALVE LOCATION.
2. SET VAULT LID FLUSH WITH SIDEWALK OR CURB IF LOCATED IN A LAWN.
3. SET VAULT LID 2" ABOVE FINISHED GRADE IF IN A LANDSCAPING AREA.
4. ALL FITTINGS TO BE COPPER OR BRASS UNLESS OTHERWISE NOTED.
5. SEE THE COMBINATION AIR VALVE AND BLOW OFF STANDARD DETAILS FOR MORE INFORMATION.

**East Wenatchee
Water District**



WATER SYSTEM STANDARD DETAIL

**COMBINATION AIR VALVE &
BLOW-OFF ASSEMBLIES**