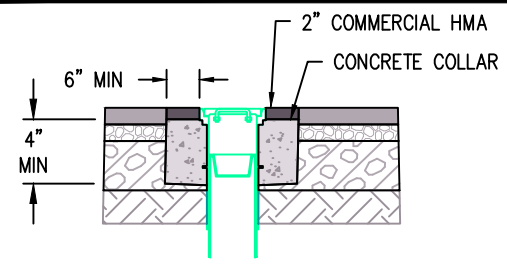


OPERATING NUT EXTENSION

EXTENSIONS ARE REQUIRED WHEN THE VALVE NUT IS MORE THAN 3.5 FEET BELOW FINISHED GRADE. EXTENSIONS NO LESS THAN ONE (1) FT LONG, ONLY ONE EXTENSION PER VALVE. EXTENSIONS MADE OF STEEL SIZED AS NOTED, PAINTED WITH TWO COATS OF EPOXY.

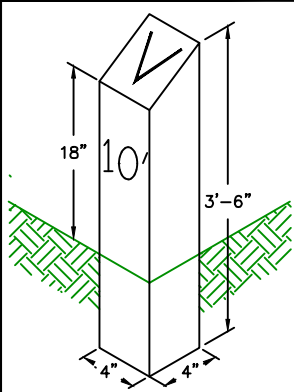
FOR EXTENSIONS LONGER THAN 4 FT AND/OR VALVES LARGER THAN 12" DIAMETER, BAR SHALL BE 1 1/4" DIA.

1. INSTALL VALVES AT NO MORE THAN 1,000 FT SPACING. PROVIDE (3) VALVES ON ALL TEES THAT LOOP OR ARE 6" OR LARGER.
2. VALVES 4" AND LARGER TO BE NRS RESILIENT SEAT GATE VALVES MEETING AWWA C509 OR C515. OTHER TYPES OF VALVES (BUTTERFLY OR ECCENTRIC) ARE ONLY ALLOWED WHEN APPROVED FOR SPECIFIC LOCATIONS BY THE DISTRICT.
3. GATE VALVE MODELS: M&H 7000, KENNEDY KS, CLOW 2638, MUELLER 236#. NO SUBSTITUTIONS.
4. COMPACT BACKFILL AROUND VALVE BOXES USING A JUMPING JACK.
5. OLYMPIC FOUNDRY VALVE BOX MODEL NUMBERS SHOWN. OWNER APPROVED EQUALS WILL BE ALLOWED. SIGMA PRODUCTS ARE NOT ALLOWED DUE TO CLEARANCE ISSUES.
6. RESTRAIN IN-LINE VALVES WITH DEVICES SHOWN IN DETAIL W-16 FOR A DISTANCE EQUAL TO A DEAD-END MAIN ON BOTH SIDES OF THE VALVE.
7. SUPPLY EACH VALVE WITH VALVE BOX, LID, AND DUST PAN. LID SHALL HAVE RECESSED HANDLE. ALIGN VALVE BOX RISER LUGS PARALLEL TO WATER FLOW.
8. PRE-PRESSURE TEST ALL VALVES. TEST THOSE THAT ARE PART OF A CUT-IN CONNECTION OR HOT TAP ON AN EXISTING MAIN ON BOTH SIDES OF THE CLOSED SEAT PRIOR TO INSTALLATION.
9. FOR VALVES LEFT TEMPORARILY EXPOSED DURING CONSTRUCTION, BLOCK THE OPEN END WITH A PLUG, OR COVER TIGHTLY WITH POLY BAG TO PROTECT THE VALVE SEAT FROM DAMAGE.
10. BOX LID MUST FIT IN TOP WITH NO MORE THAN 1/16" CLEARANCE.



1. SET LID TOP 0" TO 1/8" BELOW SURFACE.
2. CURE CONCRETE 3 DAYS PRIOR TO PLACING HMA.
3. CUT HMA ROUGHLY CIRCULAR, NO LESS THAN 8 EDGES.

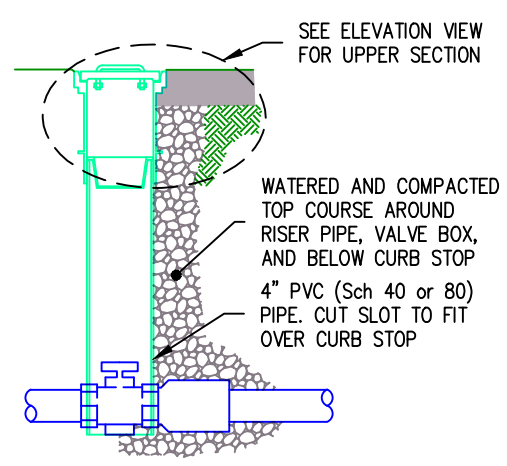
VALVE BOX IN PAVED ROAD



USE MARKER POST WHEN VALVE IS LOCATED OUT OF TRAVELED WAY, IN GRAVEL, OR AT THE DIRECTION OF THE DISTRICT.

RENTON CONCRETE PRODUCTS NO. VM-1 OR APPROVED EQUAL. PAINT WITH TWO COATS OF NO. 43-114 (INTERNATIONAL YELLOW) PAINT AS SPECIFIED BY THE PRESERVATIVE PAINT CO. OR APPROVED EQUAL. LOCATE POST IN A SAFE AND REASONABLY CONSPICUOUS LOCATION AT A RIGHT ANGLE TO THE ROADWAY FROM THE VALVE. DISTANCE TO THE VALVE SHALL BE NEATLY STENCILED ON THE POST WITH TWO-INCH NUMBERS WITH NO. 43-102 (BLACK) PAINT AS SPECIFIED BY PRESERVATIVE PAINT CO.

VALVE MARKER POST



CURB STOP DETAIL

**East Wenatchee
Water District**



WATER SYSTEM STANDARD DETAIL

**ISOLATION VALVE
INSTALLATION DETAILS**